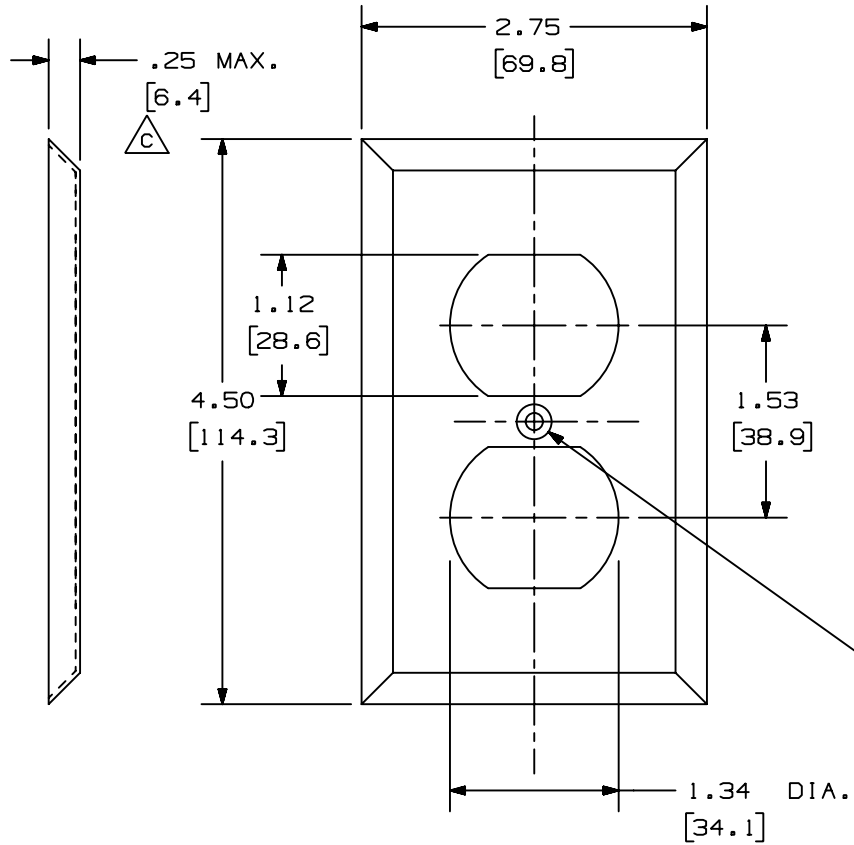


THIS COPY IS PROVIDED ON A RESTRICTED BASIS AND IS NOT TO BE USED IN ANY WAY DETRIMENTAL TO THE INTERESTS OF PANDUIT CORP.



PANDUIT P/N	WEIGHT
WPS-20	1.15 LB/10 PCS (525 g/10 PCS)

NOTES:

1. SEE CURRENT CATALOG FOR ADDITIONAL PART NUMBER SUFFIXES TO INDICATE COLOR AND OR PACKAGE QUANTITY.
2. BRUSH FINISH.
3. ONE #6 X 32 - 1/2" LONG SCREW PROVIDED FOR FASTENING WALLPLATE.
4. DIMENSIONS IN PARENTHESES ARE IN METRIC.

B

A

A

C'SK FOR #6-32 X 1/2" OVAL HEAD SCREW

CAD FILENAME/LAYERS WCPGO-WALLPLATE-2_02.PRT (16)

PANDUIT CORP. TINLEY PARK, ILLINOIS

WPS-20 WALLPLATE FOR SINGLE GANG
DUPLEX RECEPTACLE CUSTOMER DRAWING

UNLESS OTHERWISE SPECIFIED,
DIMENSIONAL TOLERANCES ARE:
(.X) ± (.XXX) ± .010
(.XX) ± .020 ANGLES ±

UNLESS OTHERWISE SPECIFIED,
ALL DIMENSIONS ARE GIVEN
IN INCHES, THIRD ANGLE PROJECTION.

REV	DATE	BY	CHK	DESCRIPTION	ECN	CHK	CUST	SUP
2	09-22-98	JBA	CEF	C. REV'D METRIC DIMENSION: WAS .2. B. REV'D NOTES TO CURRENT STANDARD.	34046-24	CEF	CEF	
1	11-07-96	JBA	CEF	A. REV'D NOTE #3: CONTAINS ONE SCREW.	34046-24	CEF		
R	10-29-87	LDB	WJB	RELEASED TO PRODUCTION.	34046-24	WJB		

DRAWN BY
L. BENTZ

MAT'L:

DATE
10-29-87

.030" THICK
STAINLESS STEEL

SCALE
NONE

DRAWING NO.

34046-24

DWG

A

SIZE